



RDW

Centrum voor voertuigtechniek en informatie

N E D E R L A N D  
( THE NETHERLANDS )



confidential  
for internal use only

COMMUNICATION

Concerning: APPROVAL GRANTED  
~~APPROVAL EXTENDED~~  
~~APPROVAL REFUSED~~  
~~APPROVAL WITHDRAWN~~  
~~PRODUCTION DEFINITELY DISCONTINUED~~

of a type of CNG component pursuant to Regulation No. 110

Approval No.: E4-110R-000020

Extension No.:--

1. CNG component considered :
- Container(s) or cylinder(s)
  - Pressure indicator
  - Pressure relief valve
  - Automatic valve(s)
  - Excess flow valve
  - Gas tight housing
  - Pressure regulator(s)
  - Check valve(s)
  - Pressure relief device
  - Manual valve
  - Flexible fuel lines
  - Filling unit or receptacle
  - Gas/air mixer (injector(s))
  - Gas flow adjuster
  - Gas/air mixer (carburettor)
  - Electronic control unit
  - Pressure and temperature sensor(s)
  - CNG filter(s)


Copia conforme all'originale  
Faithful copy  
Copie conforme à l'original  
Copia conforme al original

M.T.M. s.r.l.  
LNRO  
Gianbeppe Cravero



Approval No.: E4-110R-000020

Extension: --

2. Trade name or mark : Injector (type 32, 42, 52, 62)
3. Manufacturer's name and address : Prins Autogassystemen BV  
De Run 5408  
5504 DE Veldhoven
4. If applicable, name of the manufacturer's representative : N.A.
5. Submitted for approval on : Oktober 2001
6. Technical service responsible for conducting approval tests : Gastec Certification B.V.  
P.O. box 137  
7300 AC APELDOORN  
The Netherlands
7. Date of report issued by that service : November 2001
8. Number of report issued by that service : 121190
9. Approval : ~~granted/refused/extended/withdrawn/~~
10. Reason(s) for extension : --
11. Place : Zoetermeer
12. Date : 12. MRT 2002
13. Signature :   
Ing. A.M. Boekstein
14. The documents filed with the application or extension of approval can be obtained upon request.

Documentation: 0 sheets and 4 drawings

**Copia conforme all'originale**  
**Faithful copy**  
**Copie conforme à l'original**  
**Copia conforme al original**

M.T.M. s.r.l.

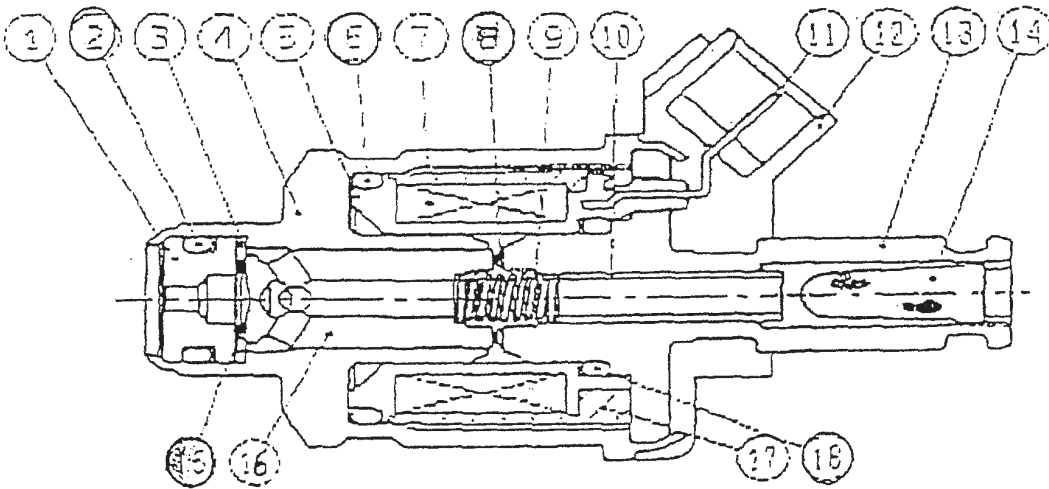
**LNRO**

Gianbeppe Cravero

KEIHIN CNG INJECTOR'S PARTS MATERIAL

No.	NAME	QTY	MATERIAL	REMARKS
1	NOZZLE	1	SUS303	
2	O RING, 8.5x1.5	1	H-NBR	Hs60±5
3	SPACER	1	SUS304	
4	HOUSING	1	K-M62F+PTFE	
5	BOBBIN, COIL	1	PPS	
6	O RING, 19.7x1	1	H-NBR	Hs60±5
7	COIL	1	2AIW	0.45x204
8	RUBBER	1	FKM	Hs80±5
9	SPG, COIL	1	SUS631J1-WPC	
10	COLLAR, INNER	1	SUS303	
11	TERMINAL	2	C2680R-1/2H+Sn plating	
12	CONNECTOR	1	PBT	
13	SLEEVE	1	K-M62F	
14	FILTER	1	C2600R-1/2H+SUS316 (Mesh)	#180, DIA 0.05
15	RUBBER	1	FKM + Chemical treatment	Hs80±5
16	VALVE	1	K-M62F+PTFE	
17	MOLD, OUTER	1	PPS	
18	O RING, 11.5x1	1	H-NBR	Hs60±5

confidential  
for internal use only



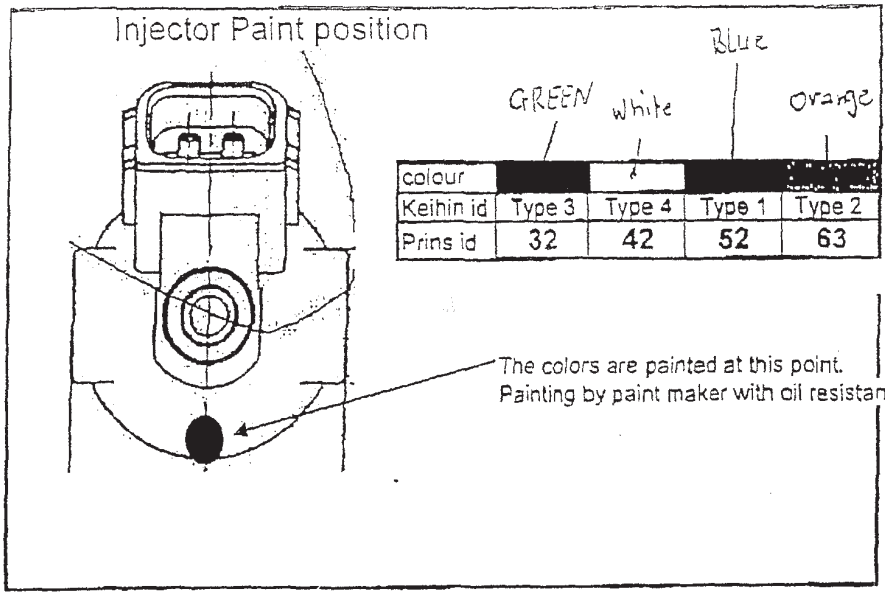
NOV 2001 12 1190

Section: CDS

**Copia conforme all'originale**  
**Faithful copy**  
**Copie conforme à l'original**  
**Copia conforme al original**

M.T.M. s.r.l.  
**LNRO**  
 Gianbeppe Cravero





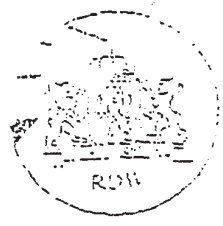
confidential  
for internal use only

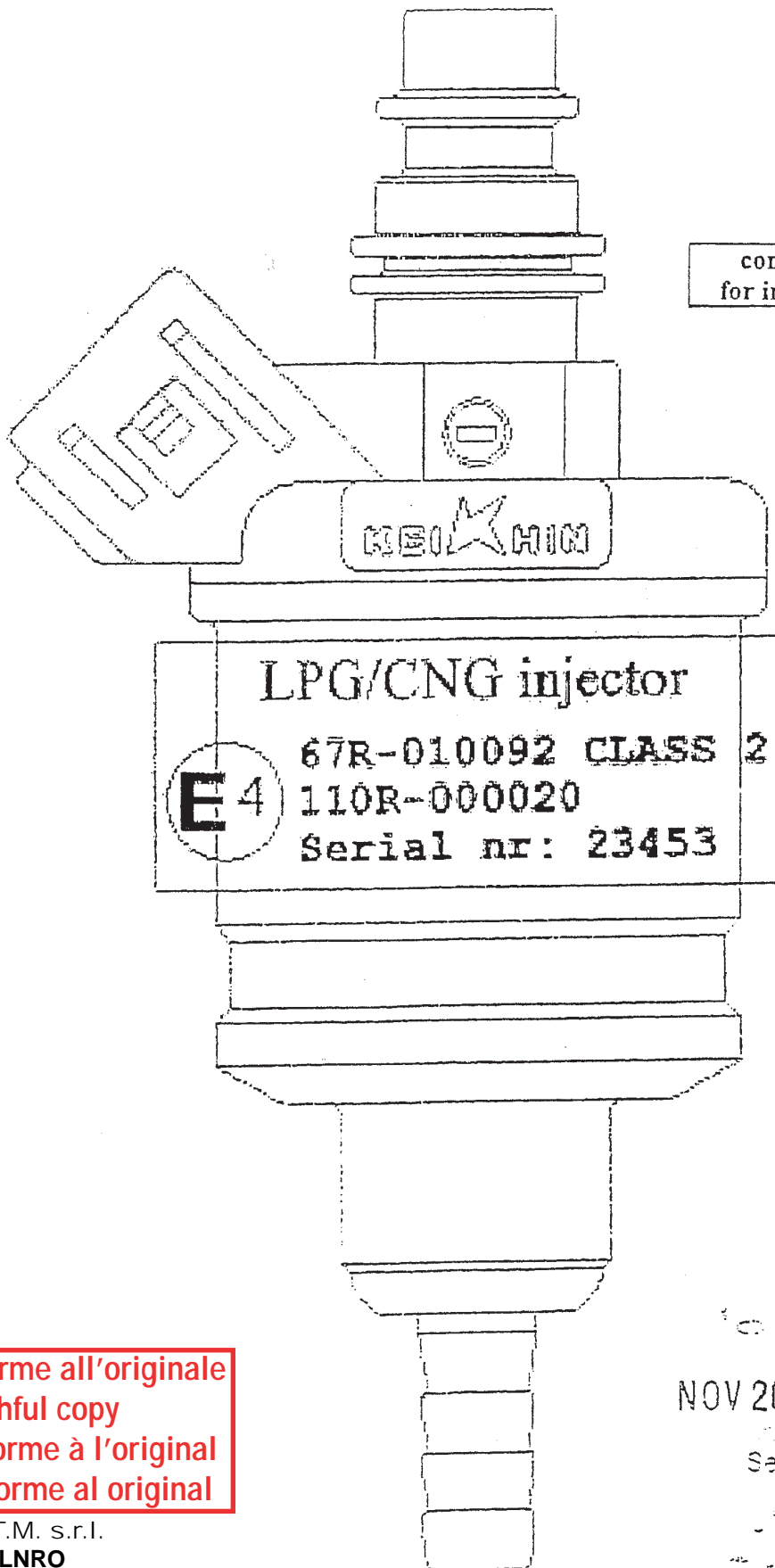
NOV 2001 12 1 19 0

Section: CDS

Copia conforme all'originale  
Faithful copy  
Copie conforme à l'original  
Copia conforme al original

M.T.M. s.r.l.  
LNRO  
Gianbeppe Cravero





confidential  
for internal use only

Copia conforme all'originale  
Faithful copy  
Copie conforme à l'original  
Copia conforme al original

M.T.M. s.r.l.  
LNRO  
Gianbeppe Cravero

NOV 2001 12 11 90

Section: CDS



LPG/CNG injector

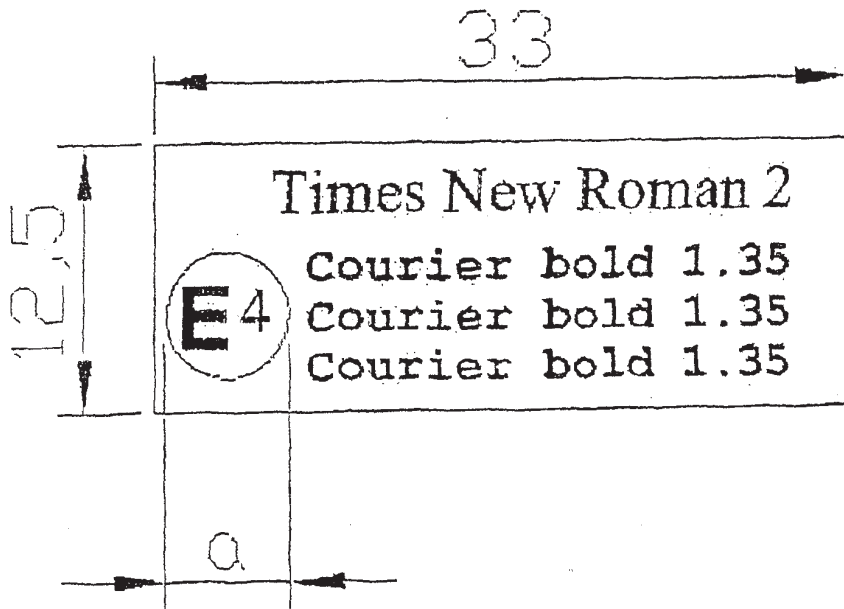
confidential  
for internal use only

E4

67R-010092 CLASS 2

110R-000020

Serial nr: 23453



$a = 6 \text{ mm}$

height letter E:  $a/2 = 3 \text{ mm}$

height number 4:  $a/3 = 2 \text{ mm}$

Copia conforme all'originale  
Faithful copy  
Copie conforme à l'original  
Copia conforme al original

NOV 2001 12 1 19 0

Section: CDS

M.T.M. s.r.l.  
LNRO  
Gianbeppe Cravero